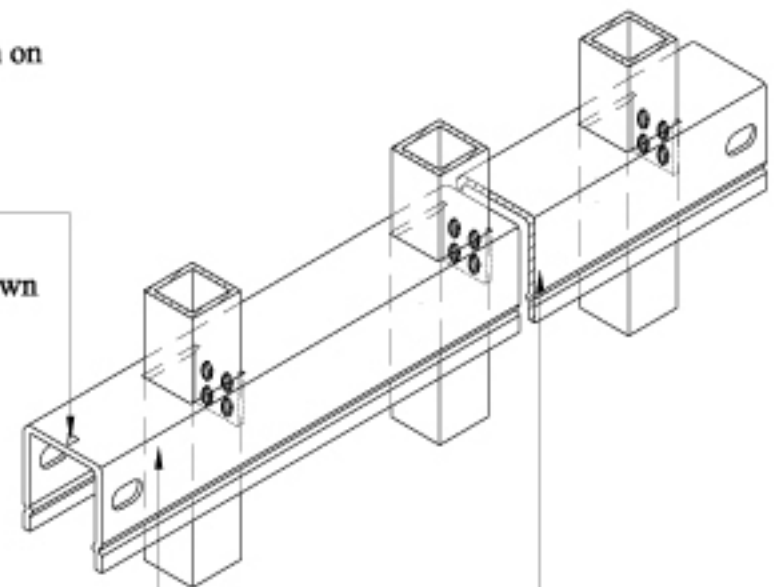


**NOTES:**

- 1.) Post size depends on fence height and wind loads. See MONTAGE™ specifications for post sizing chart.
- 2.) Third rail required for Double Rings.
- 3.) Available in 3" air space and/or Flush Bottom on most heights.
- 4.) Three rails required for 6' tall.

**RAKING DIRECTIONAL ARROW**

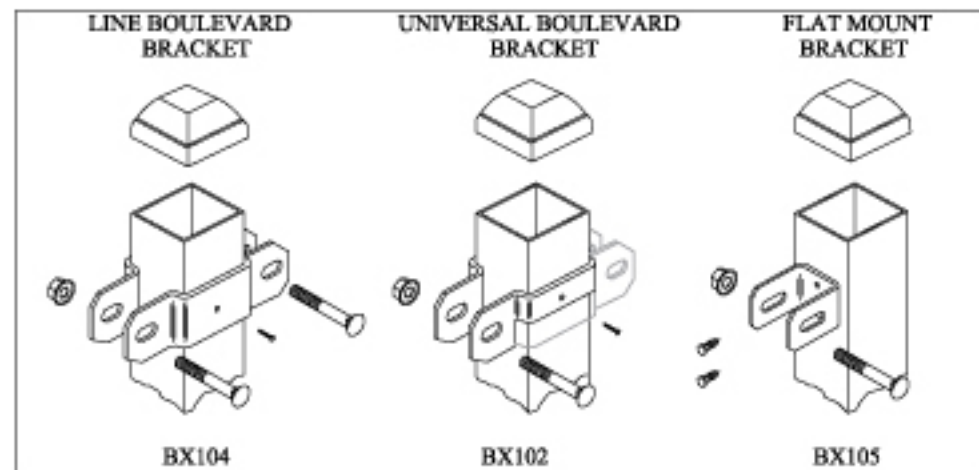
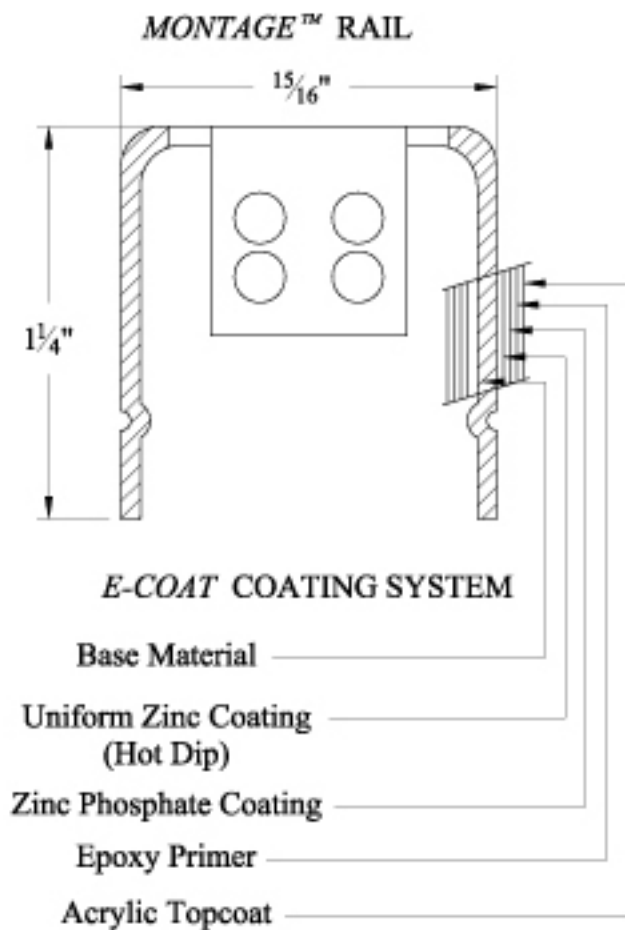
Welded panel can be raked 45° over 8' with arrow pointing down grade.



**PROFUSION™ WELDING PROCESS**

No exposed welds,  
Good Neighbor profile - Same appearance on both sides

MONTAGE RAIL  
Specially formed high strength architectural shape.



Values shown are nominal and not to be used for installation purposes. See product specification for installation requirements.

RCISO

**RESIDENTIAL WELDED STEEL PANEL  
PRE-ASSEMBLED**

Title: <b>MONTAGE CLASSIC 2/3-RAIL</b>			
DR: CI	SH. 1 of 1	SCALE: DO NOT SCALE	
CK: ME	Date 7-19-11	REV: c	



**AMERISTAR®**

1555 N. Mingo  
Tulsa, OK 74116  
1-888-333-3422  
www.ameristarfence.com